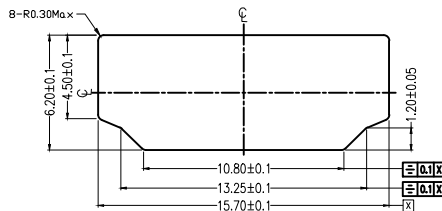
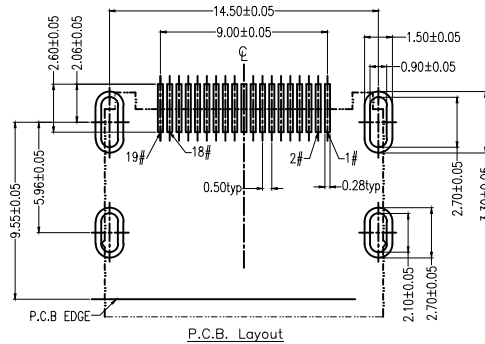
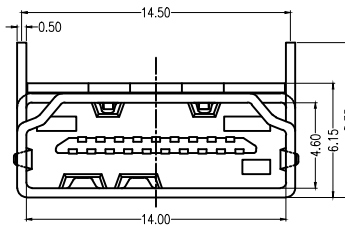
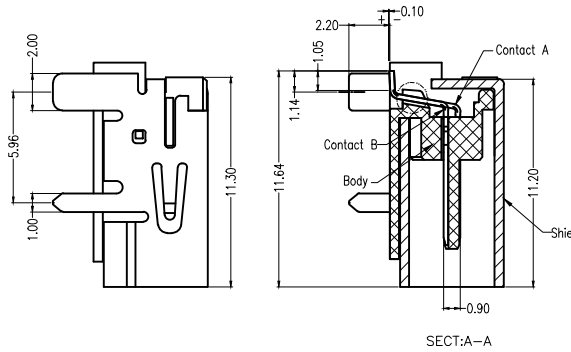
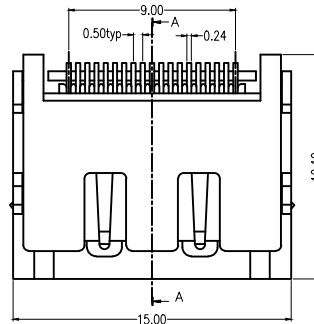
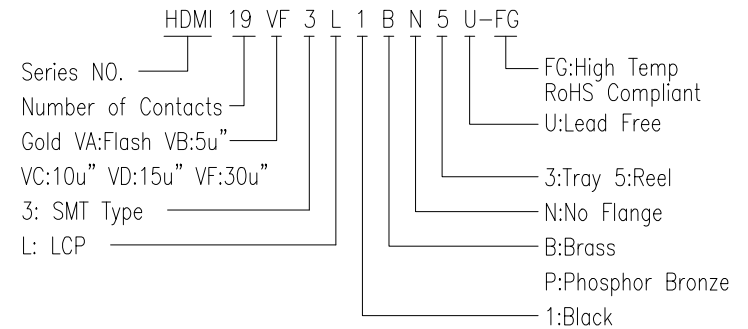


SPECIFICATIONS

Operational Voltage: 40 VDC Max
 Current Rating: 0.5 Amps
 Insulator Resistance: 2000 Megohms min.
 Contact Resistance: 30 m ohms max.
 Dielectric withstanding: AC 1200V
 Operating Temperature: -20°C~+85°C
 Contact Material: Brass or Phosphor Bronze
 Contact Plating: Gold Plating over Nickel
 on Contact Area, Tin
 Plating on Terminal
 Insulator Material: LCP, UL 94V-0
 Color: Black
 Shield: Brass
 Shield Plating: Tin Plating over Nickel



Reference Panel Cut Out Dimension



APTOS Technology CONFIDENTIAL
 This document, and all information it contains, are the confidential, proprietary property of APTOS Technology. Disclosure, duplication or distribution of this document, or any information it contains, in whole or part, without prior written permission from APTOS Technology is strictly prohibited

REV.	ECN.NO.	DATE
A	RELEASED	04/02/04
D	Add Reel Packing	06/18/04
E	Revise Part NO. & SMT Dimension	09/24/04

GENERAL TOLERANCE UNLESS OTHERWISE SPECIFIED	
XXX. ± X	.XX ± 0.25
XX. ± X	.XXX ± 0.20
X. ± X	X.* ± 3'
.X ± 0.38	.X* ± X'



REV. E	DRAWN	09/24/05	HDMI Series
DATE 06/27/2017	CHECKED		
SCALE 1:1	APPROVED		HDMI 19 Pos. SMT R/A W/O Flange
UNIT mm		SIZE A4	PRODUCT NO. HDMI-19VF3L1BN5U-FG
			FILE NAME: HDMI-19VF3L1BN5U-FG LF_APD.DWG